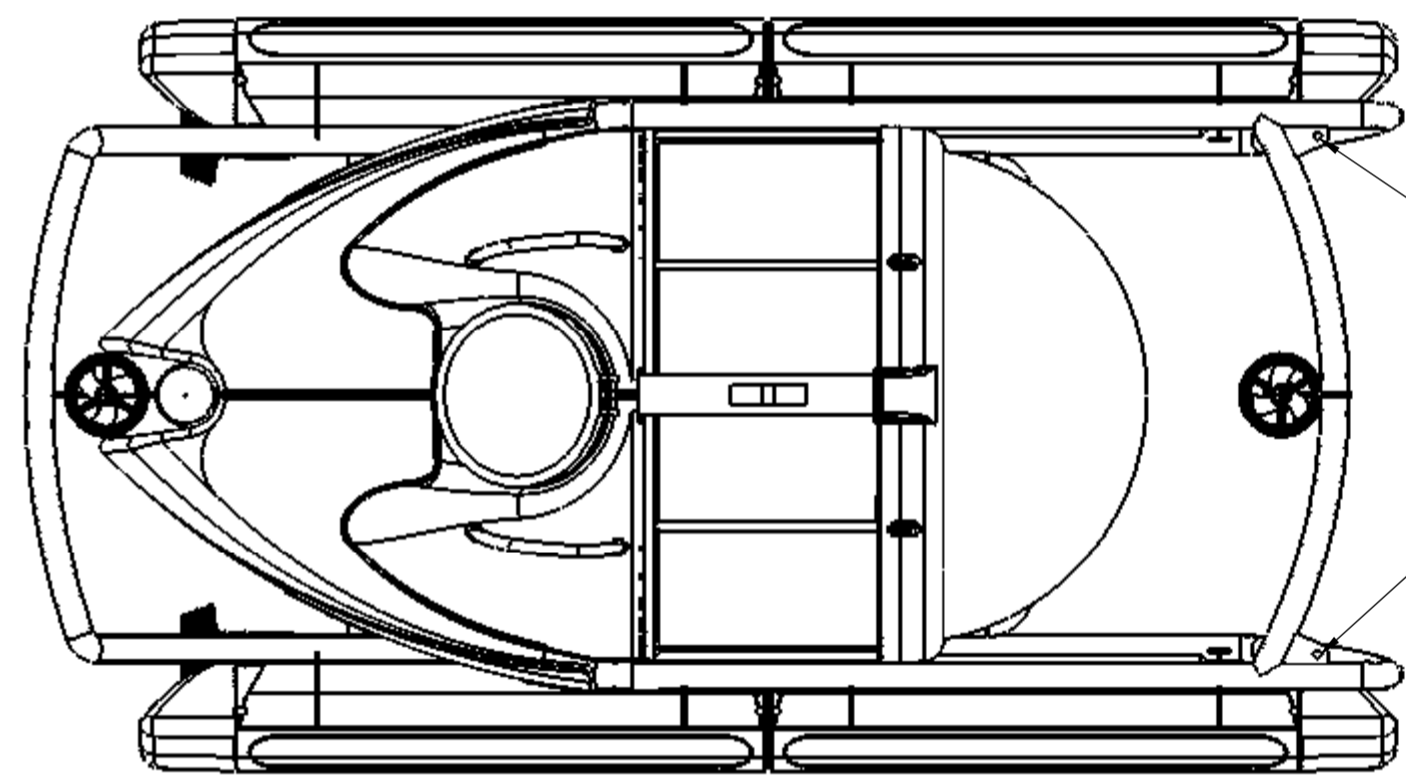
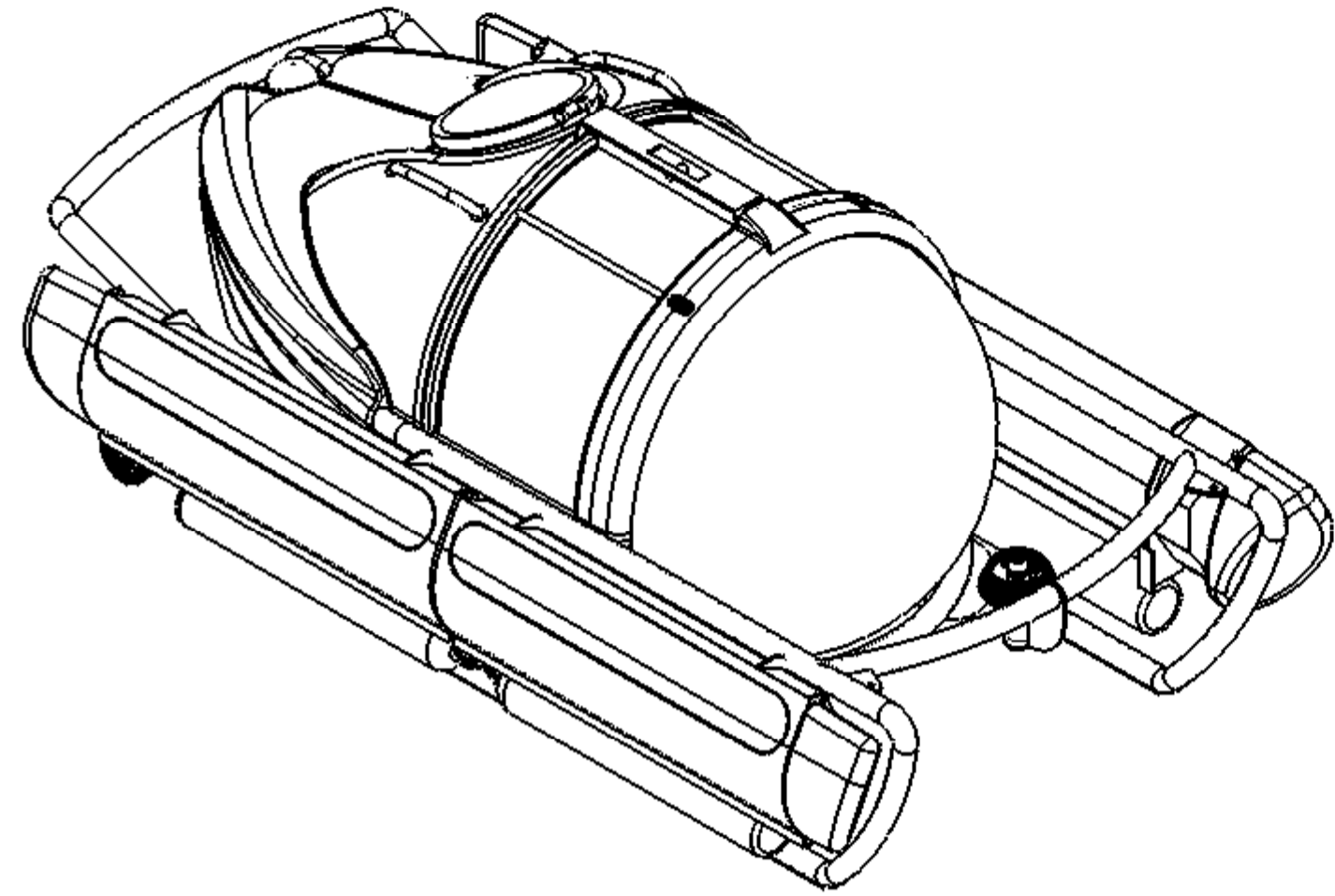
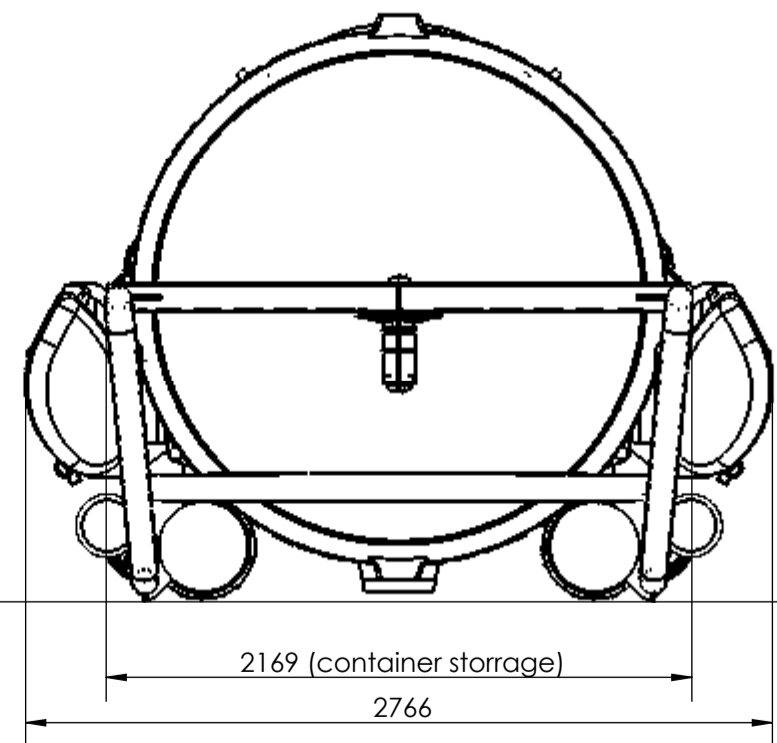
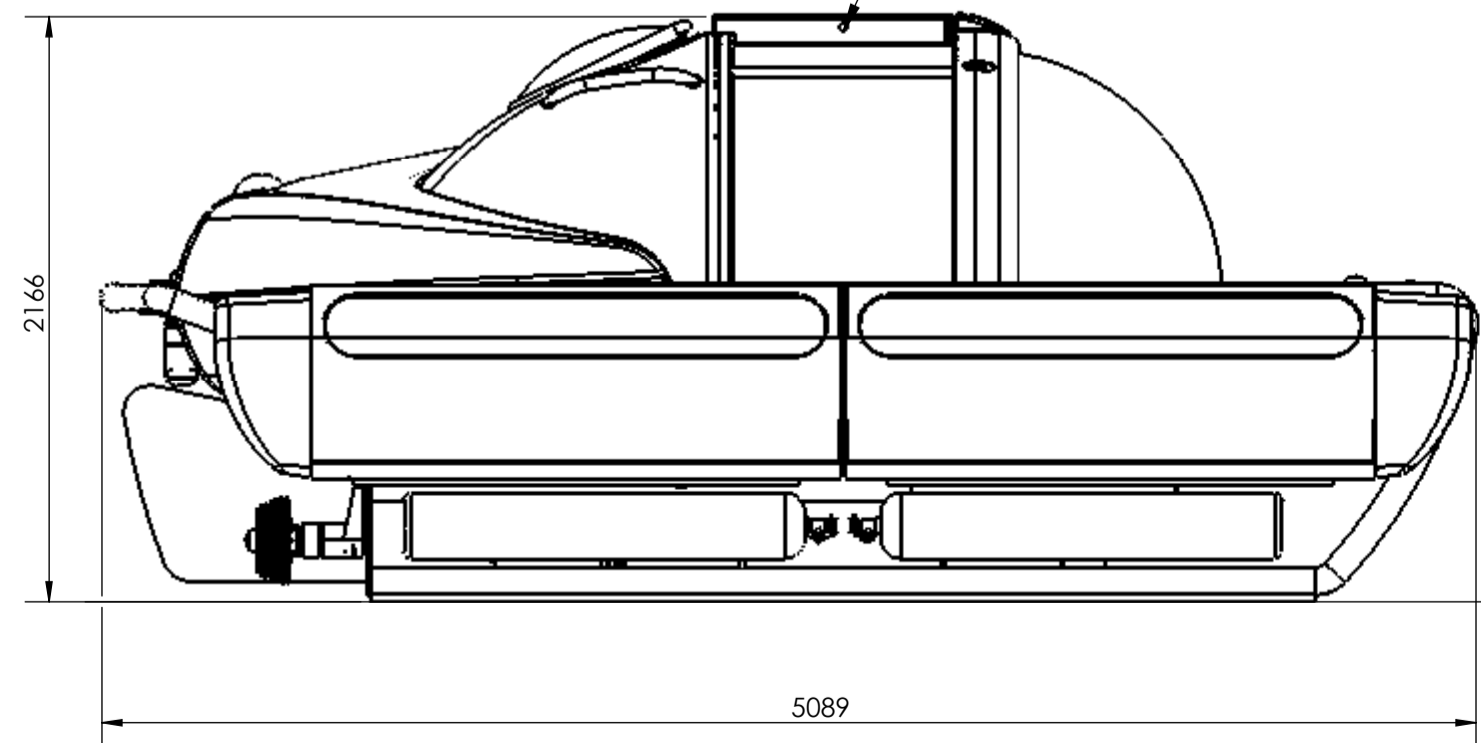


Storage & Underwater

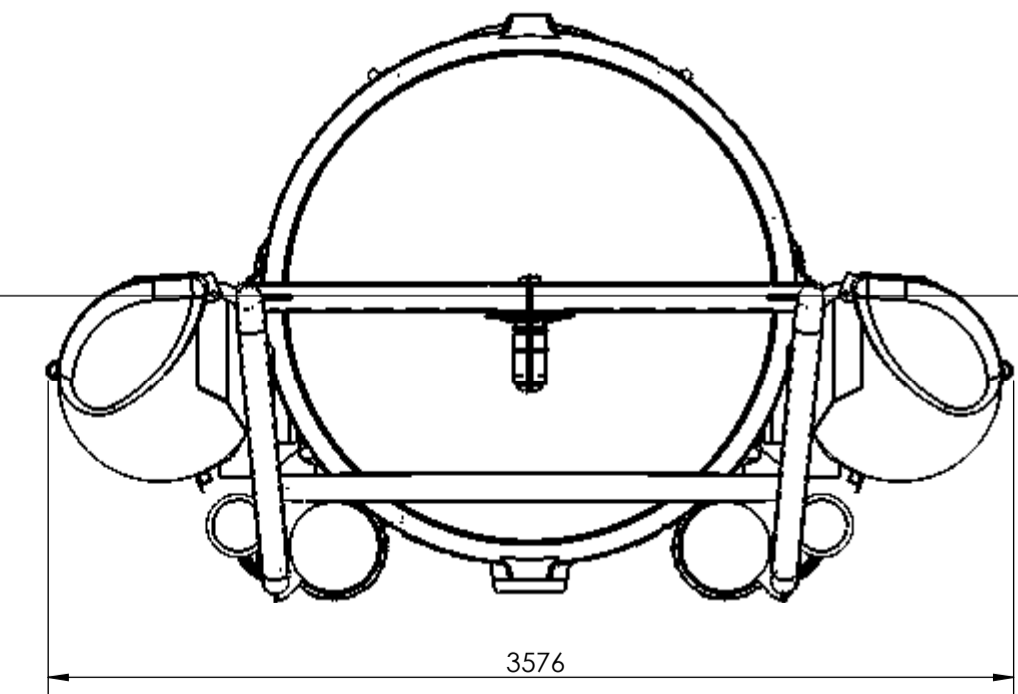
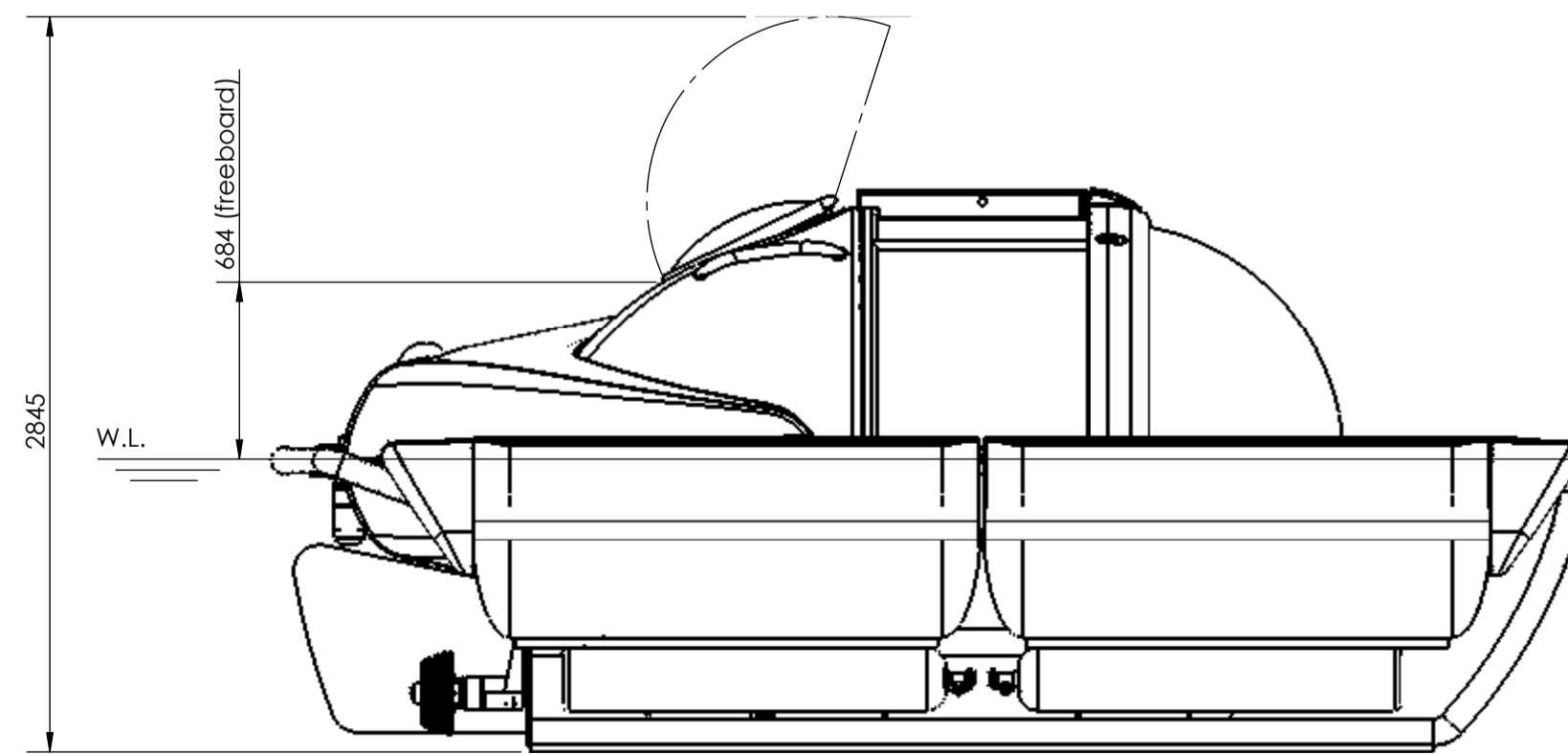
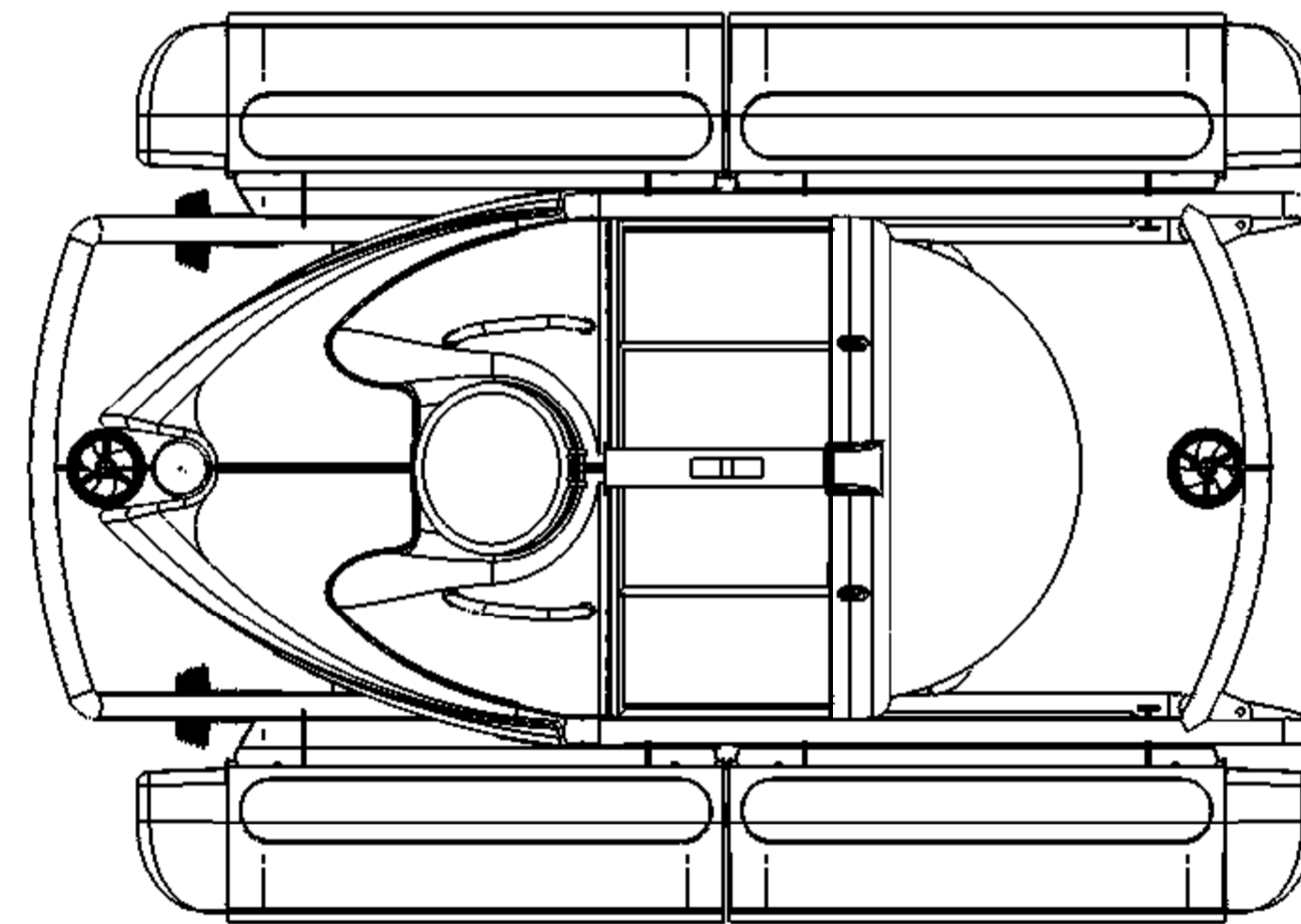
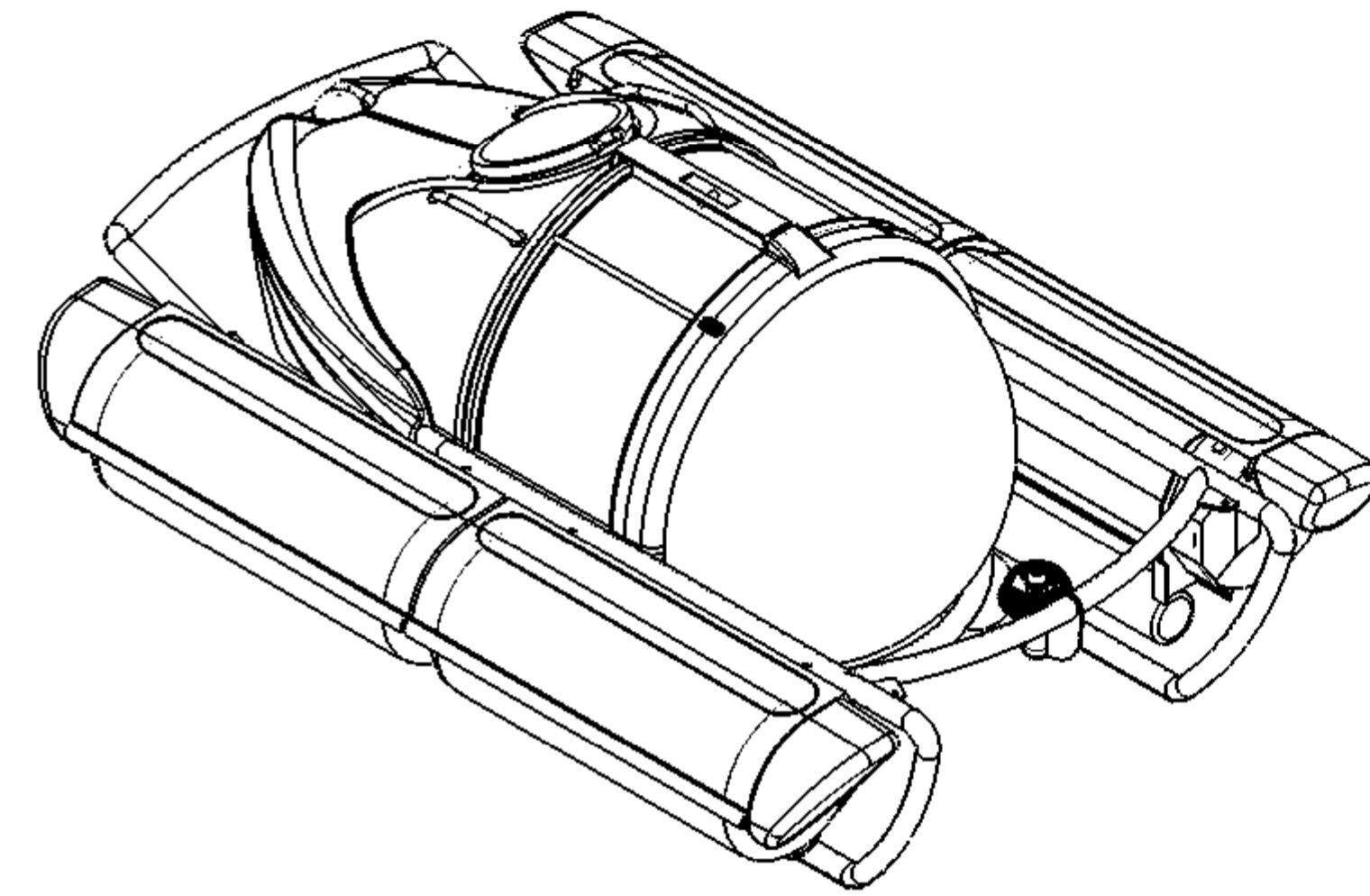


Towing points

Single lifting point



Floating at the surface



Default length tolerances: DIN 7168

Dim.: 0-6	7-30	31-120	121-400	401-1000
Tol.: ±0,1	±0,2	±0,3	±0,5	±0,8

Default angle tol.: ±20°

Roughness: Ra 0,8 µm

Default edges: <0,2x45° or R<0,2

Finish:

All rights reserved to:
U-Boat
 www.uboatworx.com

U-Boat Worx B.V.
 Opperhalsdreeuw 77
 4816 KC Breda
 The Netherlands
 Tel: +31 (0)76 5713096
 Fax: +31 (0)76 5716117

Projection: Drawn: _____
 Units: (mm) Checked: _____ Date: _____
 Scale: 1:28 A1 Sheet: 1/1
 Drawing name: **C-Explorer 5** Drawing nr: **50-000-0000-0** Revision nr: _____
 Article code: _____